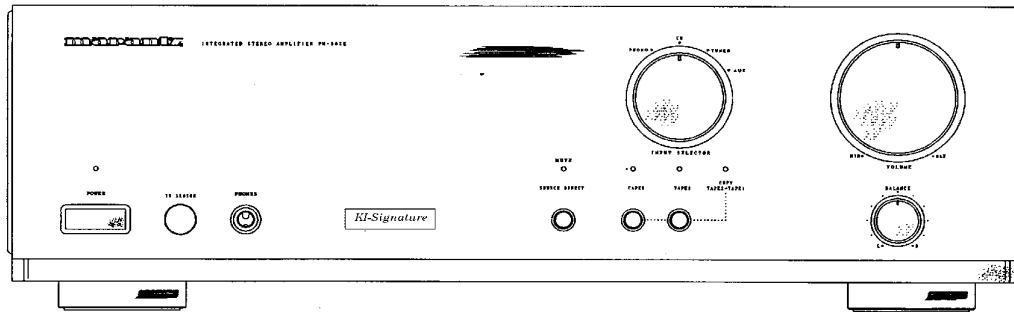


Service Manual

74PM66/ 92B/95B

Integrated Stereo Amplifier



REMARK :

This service manual explains the differences between the 74PM66/12B/15B and the 74PM66/92B/95B (KI). Only the electrical differences are listed. The mechanical differences are not available as spare part.

All other information is described in the service manual of the model 74PM66/12B/15B (Code number: 4822 725 51119). The dispatch of the parts for after sales service has to be referred to this service manual, with the first priority.

For this reason, please use this service manual with referring to the model PM66 service manual without fail.

PM66KI is electrically equal to PM66SE except the followings.

Position No.	Service code	Description
L001	4822 146 10788	Transformer 230 V
C703, C704	-	Removed
C705, C706	4822 124 80544	100uF 16V Silmic
C709, C710	4822 121 10672	100pF Blue SE cap
C753, C754, C755, C756	4822 121 10671	120pF Blue SE cap
C801, C802	4822 124 80995	12000uF 56V
C453, C454	4822 121 10669	220pF Blue SE cap
C455, C456 C467, C468	4822 124 80543	10uF 35V Silmic

marantz®

model PM66KI

4822 725 24797
First issue: 1997/03

74PM66

1. TECHNICAL SPECIFICATIONS

Power output

RMS 8 ohms / 4 ohms	50 / 70W
DIN 8 ohms / 4 ohms	55 / 75W

IHF dynamic power

8 ohms / 4 ohms	80 / 110W
THD at 8 ohms rated output	0.008 %
Intermodulation distortion	0.008 %
Damping factor	100

Magnetic cartridge input

Input sensitivity impedance	2.5 mV / 47 k ohm
Accuracy of frequency response to IEC RIAA	0.5 dB
Signal to noise ratio (IHF A weighted)	87 dB

Tuner / CD / Aux / Tape inputs

Input sensitivity impedance	150 mV / 33 k ohm
Signal to noise ratio (A weighted)	97 dB
Frequency response (-3 dB limits)	5 Hz - 70 kHz
Channel separation (1 kHz / 10 kHz)	> 85 dB / 65 dB

General

Power Requirements

/ 12, / 15 versions	230 V AC, 50 Hz
/ 11 version	110 / 120 / 220 / 240 V AC, 50 / 60 Hz
/ F version	100 V AC, 50 / 60 Hz

Dimensions (MAX)

Width	439 mm
Height	138 mm
Depth	343 mm

Weight

Unit alone	6.7 kg
------------------	--------

Specifications subject to change without prior notice.

2. TEST EQUIPMENT REQUIRED FOR SERVICING

This table lists the test equipment required for servicing

Item	Use
Distortion Analyzer	Distortion measurements
Audio Oscillator	Sinewave and squarewave signal source
ACVTVM	Voltage measurements (AC)
Oscilloscope	Waveform analysis and trouble shooting and ASO alignment
Circuit Tester	Trouble shooting
DCVTVM	Voltage measurements (DC)
AC Wattmeter	Monitors primary power to amplifier
Line Voltmeter	Monitors potential of primary power to amplifier
Variable Autotransformer	Adjust level of primery power to amplifier
Shorting Plug	Shorts amplifier input to eliminate noise pickup

3. IDLING CURRENT ADJUSTMENT

- Before switching the power ON, set the Master Volume control to the minimum position and the Balance to the center positions. Also set semi-fixed resistors R755 (L CH) and R756 (R CH) on PCB P701 to the center positions.
- Each of the cement resistors R767 (L CH) and R768 (R CH) on the PCB P701 is provided with three test points. Connect a digital voltmeter, set for the DC voltage input, to the test points at the two extremities of the three test points of R767 or R768.
- After the setup above, switch the power ON and adjust semi-fixed resistor R755 (L CH) or R756 (R CH) on PCB P701 according to the digital voltmeter reading. The target setting value is 14 mV (38.9mA) for both the L CH and R CH.

Please refer to the table below.

Elapsed time after power ON	Idling current setting value
30 sec. - 1 min.	5 mV
1 min. - 2 min.	8 mV
2 min. - 4 min.	10.5 mV
More than 6 min.	14 mV

Note on Safety :

Symbol **▲** Fire or electrical shock hazard. Only original parts should be used to replace any part marked with symbol **▲**. Any other component substitution (other than original type), may increase risk of fire or electrical shock hazard.

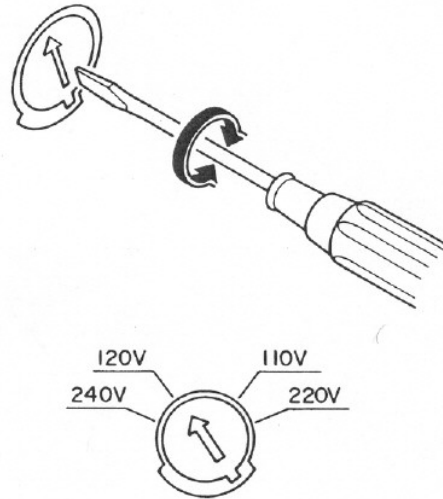
4. VOLTAGE CONVERSION

• /11B VERSION MODEL ONLY

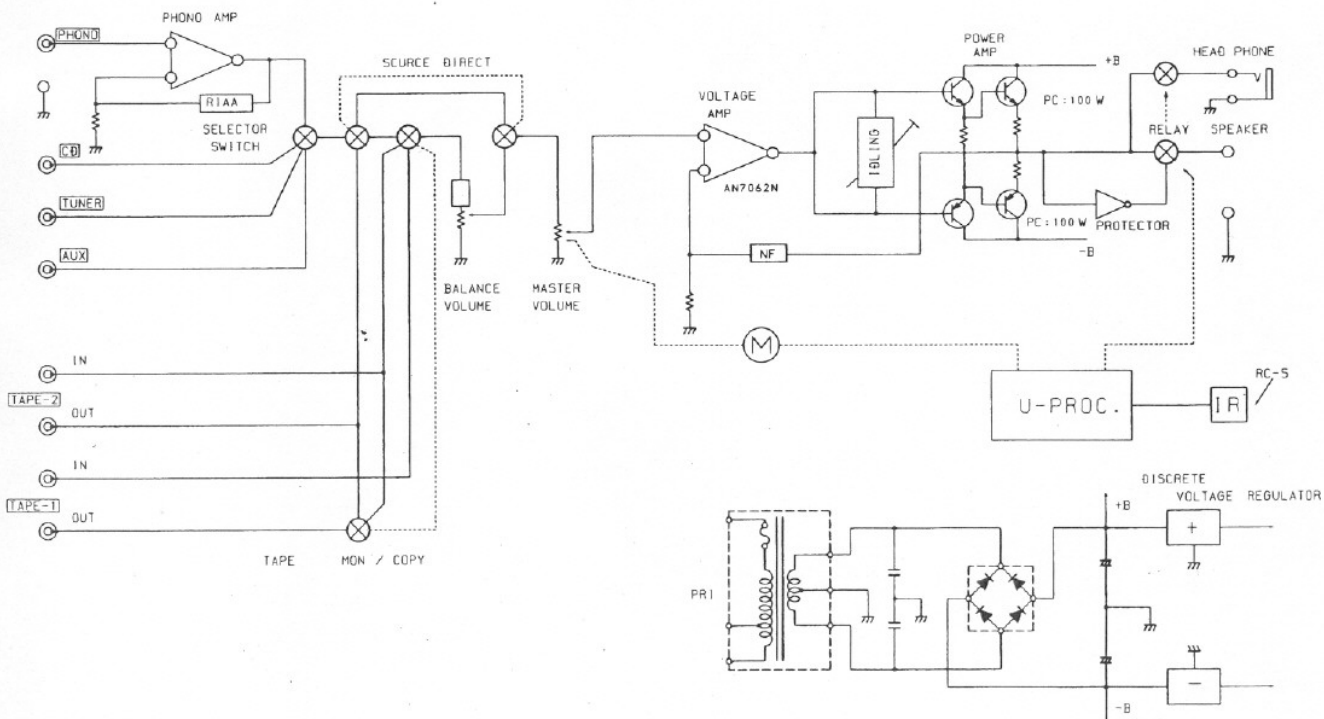
To convert the unit to a different power source voltage, change the position as illustrated in the drawing below.

VOLTAGE SELECTOR

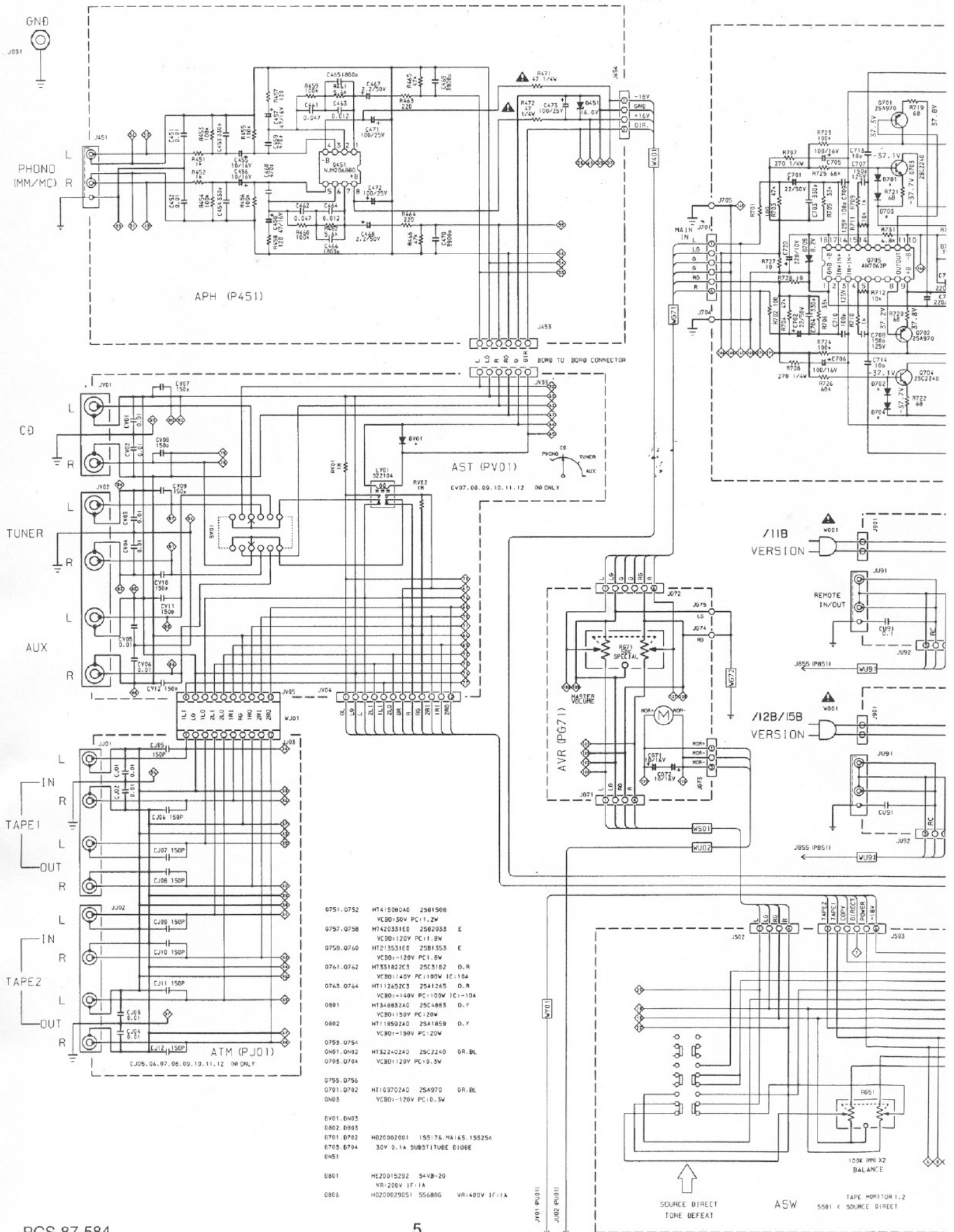
CAUTION
DISCONNECT POWER SUPPLY CORD FROM AC OUTLET BEFORE CONVERTING VOLTAGE.

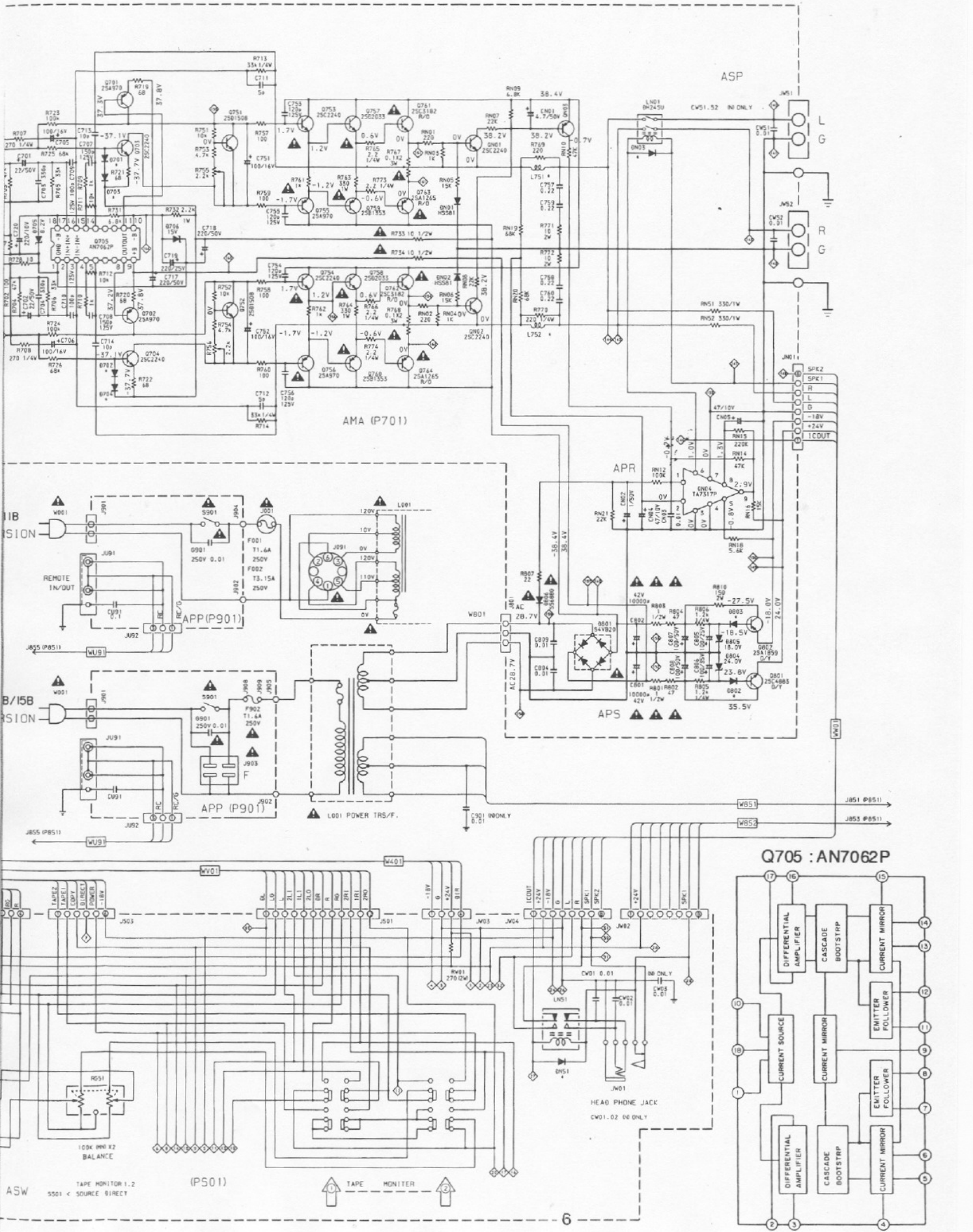


5. BLOCK DIAGRAM



7. SCHEMATIC DIAGRAM AND PARTS LOCATION (Pattern side)





ASP

AMA (P701)

APR

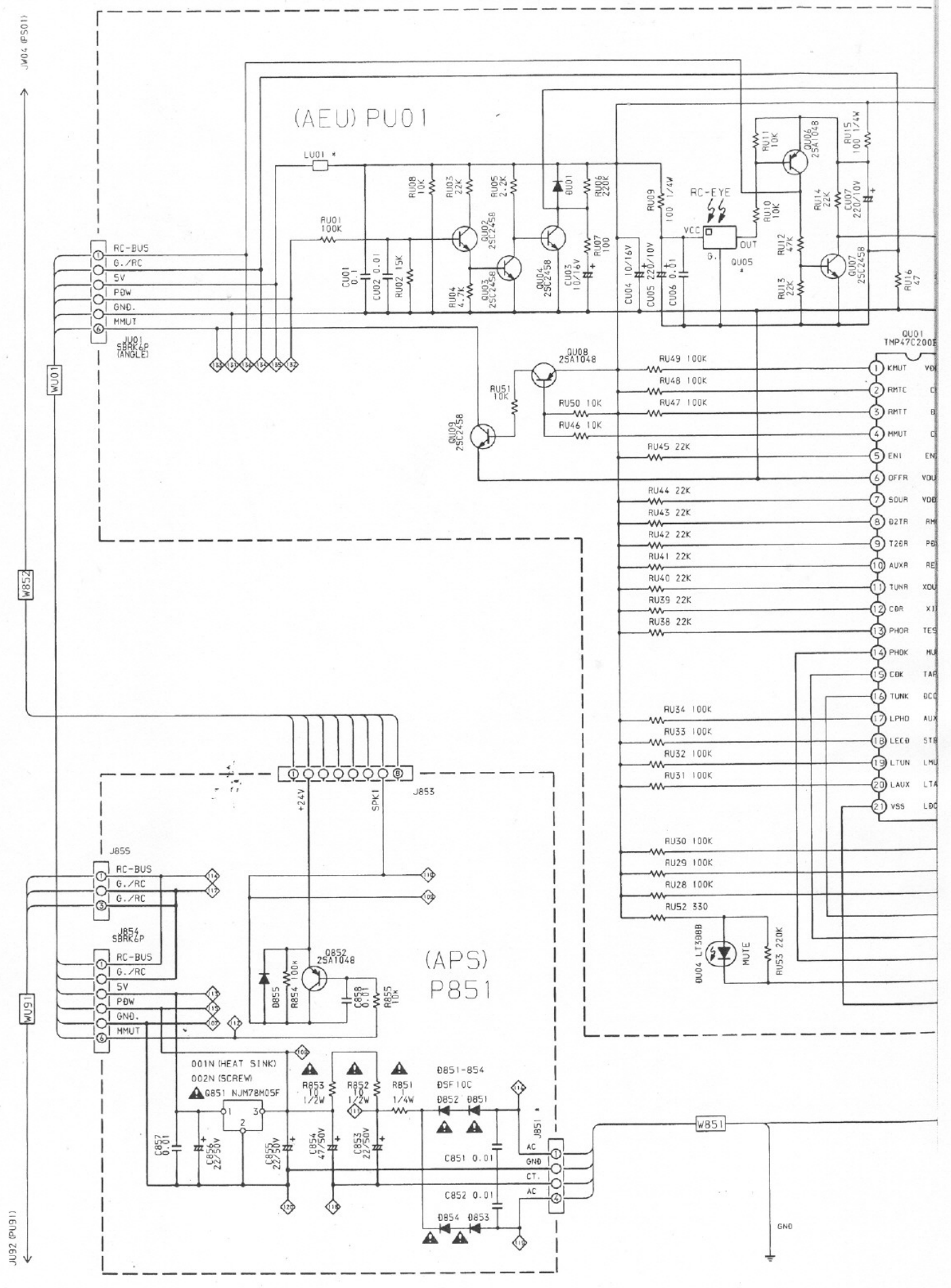
APS

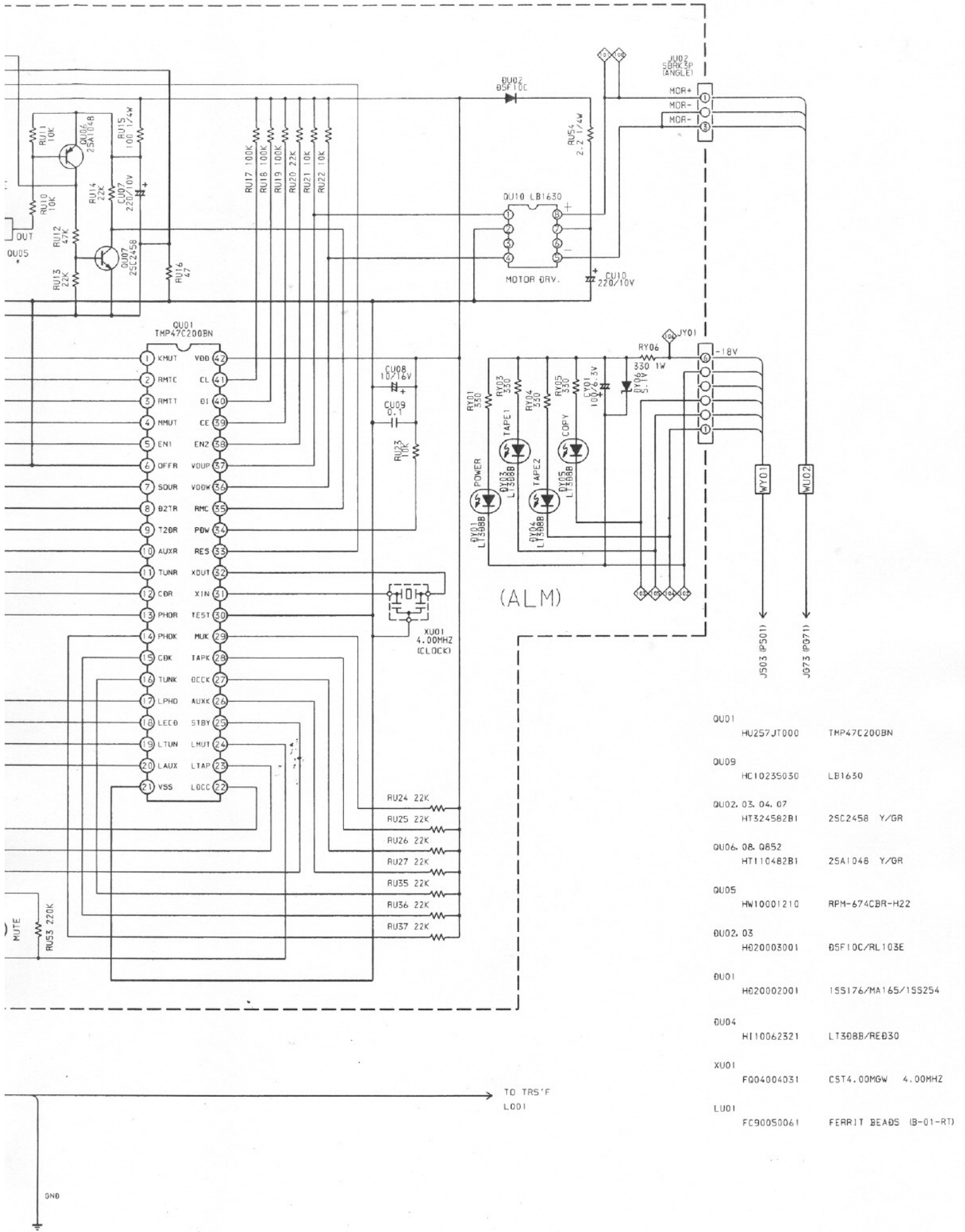
Q705 : AN7062P

ASW TAPE MONITOR 1,2
5501 < SOURCE DIRECT

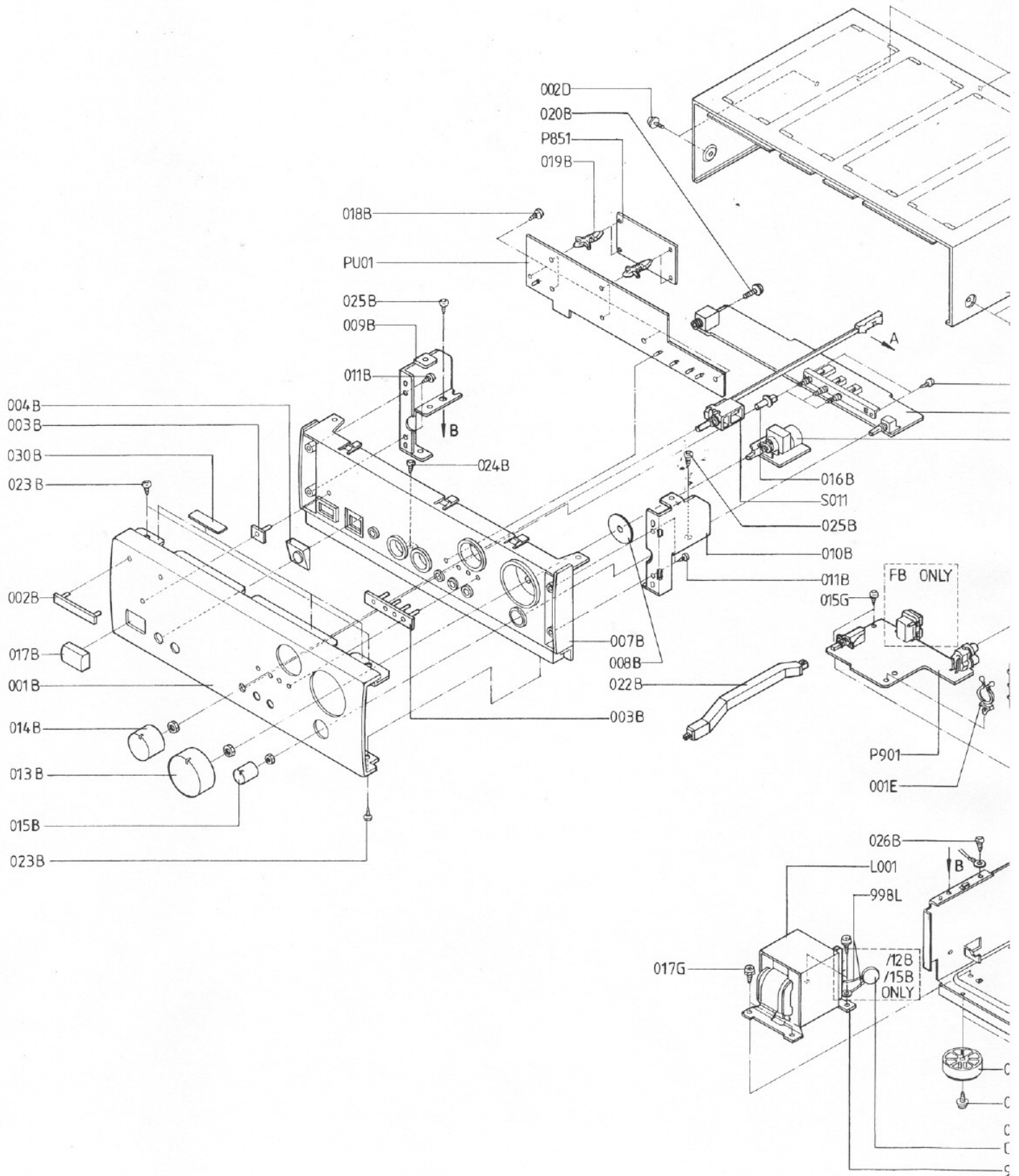
(P501)

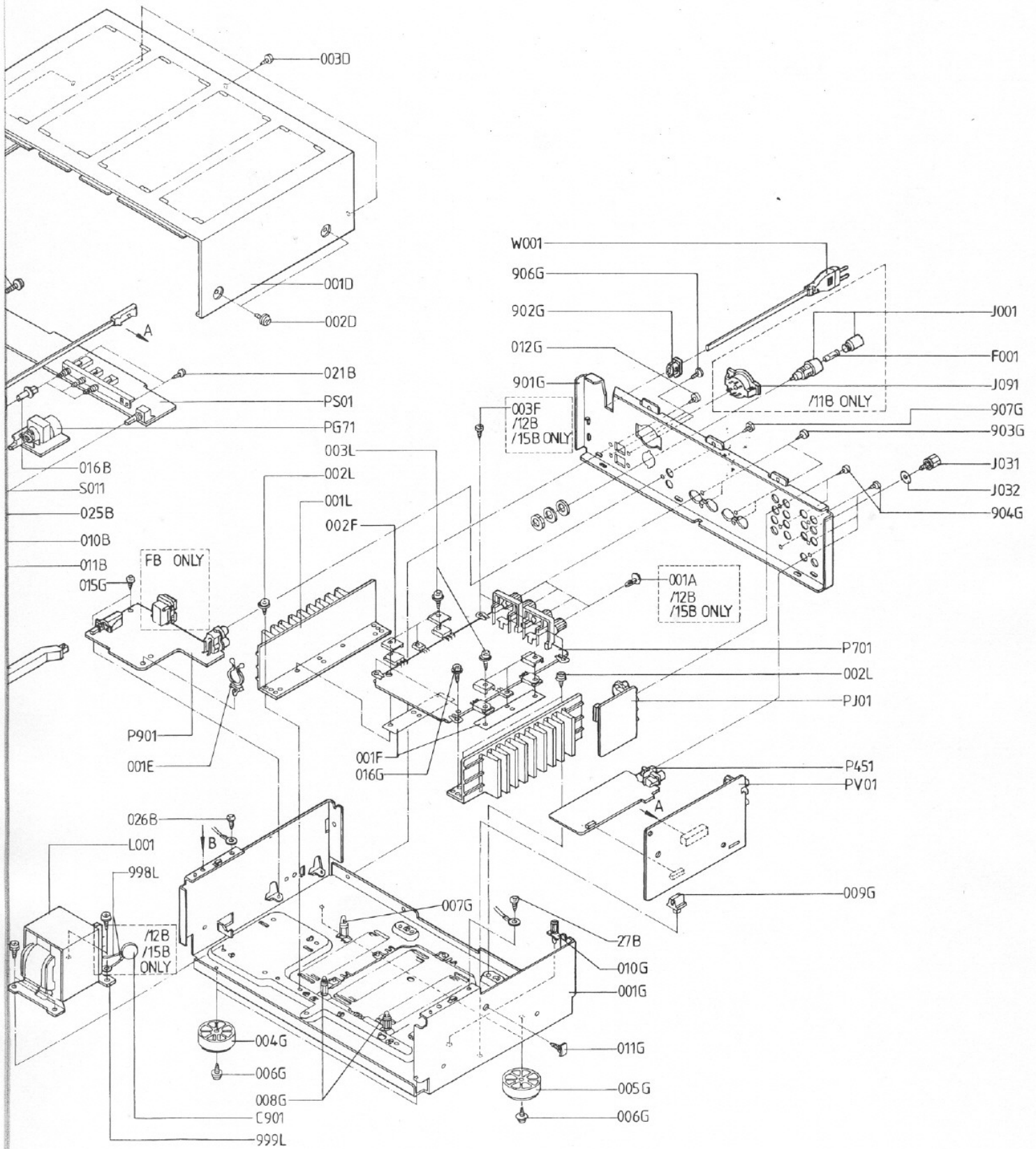
TAPE MONITOR





8. EXPLODED VIEW AND PARTS LIST





POS. NO.	VER. COLOR	PART NO. (PCS)	DESCRIPTION	PART NO. (MJI)
001B		4822 459 04257	FRONT AL PANEL (PM-66SE)	432W248010
002B		4822 454 12948	MARANTZ BADGE (BL)	185J251010
003B			LENS FOR LED	432W355010
004B		4822 381 11561	IR LENS	185J355010
007B			FRONT MOULD CHASSIS	432W105012
013B		4822 410 10559	VOLUME KNOB BLACK D=50	063J154080
014B		4822 410 10117	SELECTOR KNOB	064J154080
015B		4822 410 10561	KNOB	185J154010
016B		4822 410 60343	PUSH BUTTON BLACK	058J270030
017B		4822 462 72053	POWER BUTTON (BL)	285K270010
022B		4822 402 10517	LINK	185J121010
004G		4822 462 42129	LEG (GOLD HOT STAMP)	183J057010
005G		4822 462 42131	LEG (GOLD HOT STAMP) FOR REAR	183J057110
▲ F001	/11B	4822 070 31602	FUSE T1.60A IEC	QP07031602
▲ F002	/11B	4822 070 33152	FUSE T3.15A IEC	FS10315850
▲ J001	/11B	4822 256 30233	HOLDER FOR FUSES 5.2x10MM	YJ08000290
J031		4822 502 13921	SCREW PHONO GND	YL03010310
▲ J091	/11B		SELECTOR VOLTAGE	BY05060090
▲ L001	F		TRANSFORMER E176/45	*TS000570R
	/11B	4822 146 21743	TRANSFORMER E176/45 OVS	TS17650020
	/12B/15B	4822 146 21744	TRANSFORMER E176/45 IEC	TS17650010
▲ W001	F		MAINS CORD F/E	YC02000770
	/11B/12B	4822 321 10781	MAINS CORD IEC	YC01800440
	/15B	4822 321 10941	MAINS CORD UK 5A	YC02000700
001T	F		IFU PM-66SE (F)	432W851110
	/11B /12B/15B	4822 736 14585	IFU PM-66SE (N)	432W851310
Z001		4822 219 10067	REMOTO UNIT RC-66PM	ZK432W0010

POS. NO.	VER. COLOR	PART NO. (PCS)	DESCRIPTION	PART NO. (MJI)	POS. NO.	VER. COLOR	PART NO. (PCS)	DESCRIPTION	PART NO. (MJI)
			PG71-MASTER VOLUME CIRCUIT BOARD					PU01-MISCELLANEOUS FERRITE BEAD	
CG71		4822 124 22571	ELECT CAP. 10μF 50V	OA10605020	LU01		4822 158 60605		FC90050060
CG72		4822 124 22571	ELECT CAP. 10μF 50V	OA10605020	XU01		4822 242 72527	CERAMIC RESONATOR 4.000MHz	F004004030
RG71		4822 101 30885	50KΩ /MOTOR VARIABLE RES.	RY05030220				PV01-INPUT SELECTOR CIRCUIT BOARD	
			PJ01-TAPE IN / OUT CIRCUIT BOARD		DV01		4822 130 32362	DIODE 1SS254	HD20022210
JJ01		4822 266 30284	TERMINAL, 4P RCA JACK	YT02040690	JV01		4822 266 30282	TERMINAL, 2P RCA JACK	YT02020610
JJ02		4822 266 30284	TERMINAL, 4P RCA JACK	YT02040690	JV02		4822 266 30284	TERMINAL, 4P RCA JACK	YT02040690
			PS01-TAPE MON/TONE OUT./SPK. SW CIRCUIT BOARD		LV01		4822 280 20501	RELAY MR62-24SR	LY20240410
RG51		4822 100 30138	100K Ω (MN), VARIABLE RES.	RM01041310	SV01		4822 277 21412	SLIDE SWITCH, SELECTOR	SS02040010
RW01		4822 116 60455	270 Ω ±5% 2W, METAL RES.	NK05271020				P451-PHONO AMP. CIRCUIT BOARD	
DN51		4822 130 32364	DIODE 1SS254	HD20022210				P451-CAPACITORS	
JW01		4822 267 31479	SOCKET HEADPHONE	QP26731479	C455		4822 124 22571	ELECT 10μF 50V	OA10605020
LN51		4822 280 20501	RELAY 2P 24V 2A MR62-24SR	LY20240410	C456		4822 124 22571	ELECT 10μF 50V	OA10605020
SS01		4822 276 12956	PUSH SWITCH SPUP30	SP06030240	C457		4822 124 41539	ELECT 47μF 16V	OA47601620
			PU01-TAPE INDICATOR μ-COM CIRCUIT BOARD		C458		4822 124 41539	ELECT 47μF 16V	OA47601620
			PU01-CAPACITORS		C459		4822 124 40244	ELECT 2.2μF 50V	OA22505020
CU01		4822 122 40617	CER. 0.1μF +80% -20%	DD38104010	C468		4822 124 40244	ELECT 2.2μF 50V	OA22505020
CU03		4822 124 22571	ELECT 10μF 50V	OA10605020	C469		4822 121 70198	FILM 3900PF ±10% 100V	OF15392530
CU04		4822 124 22571	ELECT 10μF 50V	OA10605020	C469		4822 121 70198	FILM 3900PF ±10% 100V	OF15392530
CU05		4822 124 90363	ELECT 220μF 10V	OA22701020	C471		4822 124 22238	ELECT 100μF 25V	OA10702550
CU07		4822 124 90363	ELECT 220μF 10V	OA22701020	C472		4822 124 22238	ELECT 100μF 25V	OA10702550
CU08		4822 124 22571	ELECT 10μF 50V	OA10605020	C473		4822 124 80293	ELECT 100μF 25V	OA10702520
CU09		4822 122 40617	CER. 0.1μF +80% -20%	DD38104010				P451-RESISTORS	
CU10		4822 124 90363	ELECT 220μF 10V	OA22701020	▲R471		4822 111 90731	47 Ω ±2% 1/4W, FUSIBLE	NF02470140
CU91		4822 122 40617	CER. 0.1μF +80% -20%	DD38104010	▲R472		4822 052 10479	47 Ω ±5% 1/4W	GG05470140
			PU01-RESISTORS		D451		4822 130 34268	ZENER BZX79-C16	QP13034268
RU09		4822 117 12425	100 Ω ±5% 1/4W	GG05101140	Q451		4822 209 73064	IC NJM2068D	HC10053090
RU15		4822 117 12425	100 Ω ±5% 1/4W	GG05101140				P451-MISCELLANEOUS	
▲RU54		4822 116 60309	2.2 Ω ±5% 1/4W, FUSIBLE	NH05022140	J452		4822 265 20355	TERMINAL, 2P RCA JACK	YT02020650
RY06		4822 116 60494	330 Ω ±5% 2W, METAL	NK05331020				P701-POWER AMP. CIRCUIT BOARD	
			PU01-SEMICONDUCTORS					P701-CAPACITORS	
DU01		4822 130 32362	DIODE 1SS254	HD20022210	CN01		4822 124 22274	ELECT 4.7μF 50V	OA47505020
DU02		4822 130 32508	DIODE RL103E	HD20003000	CN02		4822 124 41543	ELECT 1μF 50V	OA10505020
DU04		4822 130 80326	LED LT3D8D (RED)	HI10062320	CN04		4822 124 22698	ELECT 47μF 25V	OA47602520
DY01		4822 130 80326	LED LT3D8D (RED)	HI10062320	CN05		4822 124 23417	ELECT 33μF 10V	OA33601020
DY03		4822 130 80326	LED LT3D8D (RED)	HI10062320	C701		4822 124 80123	ELECT 220μF 16V	OA22701640
DY04		4822 130 80326	LED LT3D8D (RED)	HI10062320	C702		4822 124 80123	ELECT 220μF 16V	OA22701640
DY05		4822 130 80326	LED LT3D8D (RED)	HI10062320	C705		4822 124 80293	ELECT 100μF 25V	OA10702520
DY06		4822 130 80317	ZENER MTZJ5.1B	HD30511000	C706		4822 124 80293	ELECT 100μF 25V	OA10702520
QU01		4822 209 90571	μ-PRO TMP47C200BN-H347	HU257JT000	C711		4822 123 30093	MICA 5PF ±0.5PF 500V	DF31050520
QU02		4822 130 60904	TRS. 2SC2458 (Y)	HT324581Y0	C712		4822 123 30093	MICA 5PF ±0.5PF 500V	DF31050520
QU03		4822 130 60904	TRS. 2SC2458 (Y)	HT324581Y0	C713		4822 123 30088	MICA 10PF ±0.5PF 250V	DF31100520
QU04		4822 130 60904	TRS. 2SC2458 (Y)	HT324581Y0	C714		4822 123 30088	MICA 10PF ±0.5PF 250V	DF31100520
QU05		4822 130 83519	IR RECEIVER RPM674CBR-H22	HW10001210	C717		4822 124 90366	ELECT 220μF 50V	OA22705020
QU06		4822 130 42372	TRS. 2SA1048 (Y)	HT110481Y0	C718		4822 124 90366	ELECT 220μF 50V	OA22705020
QU07		4822 130 60904	TRS. 2SC2458 (Y)	HT324581Y0	C719		4822 124 41536	ELECT 220μF 25V	OA22702520
QU09		4822 130 60904	TRS. 2SC2458 (Y)	HT324581Y0	C720		4822 124 90363	ELECT 220μF 10V	OA22701020
QU10		4822 209 73287	IC LB1630	HC10235030	C751		4822 124 80293	ELECT 100μF 25V	OA10702520
					C752		4822 124 80293	ELECT 100μF 25V	OA10702520
					C753				
					f		4822 130 83519	FILM 120PF ±5% 100V	OF15121550
					C756				

